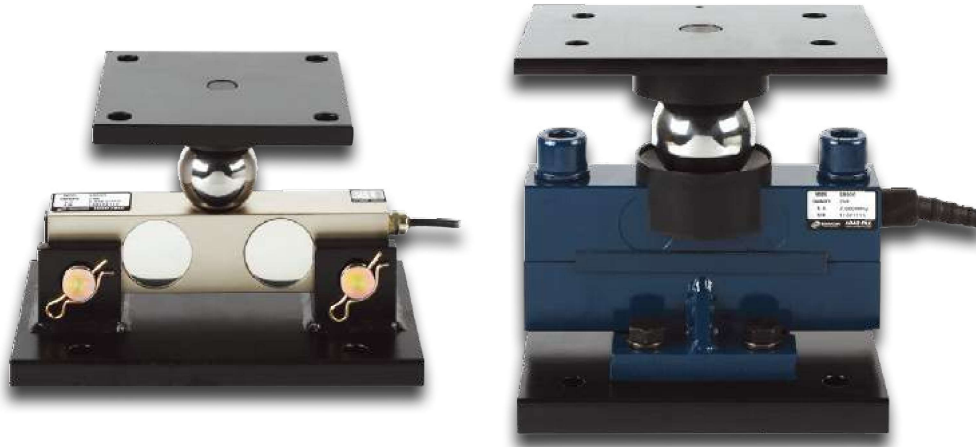


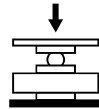
Truck Weighing Load Cell 10~30tf

SB 900



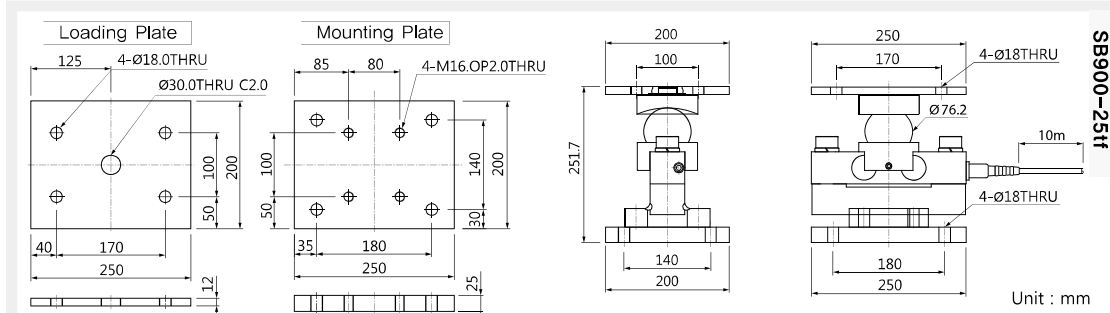
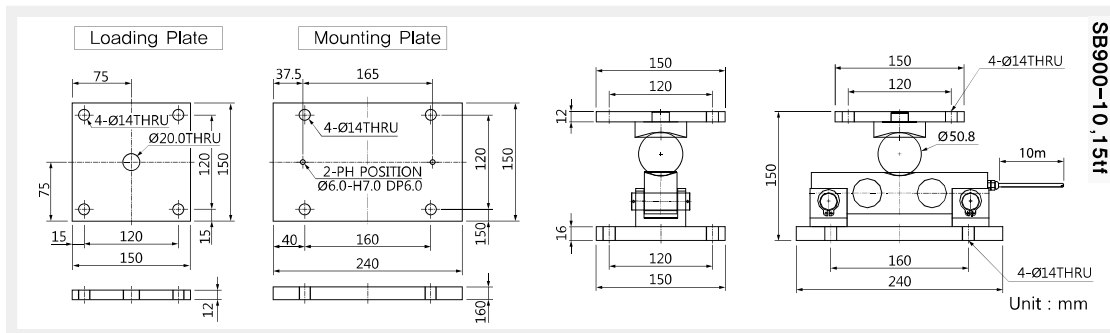
Feature

- Robust Design and Easy Installation
- Strong Against Shock or Side Force
- Protection Class IP67
- Paint Finished Steel
- Braided Shield 4-Wire Round Cable



Rated Capacity (R.C)	tf	10, 15tf	25tf, 30tf
Rated Output (R.O)	mV/V	2.0 ± 0.004	
Zero Balance	mV/V	0 ± 0.03	
Combined Error	%	0.03	
Repeatability	%	0.02	
Creep (30min)	%	0.03	
Temperature Effect on			
Zero Value	% / 10°C	0.03	
Output Value	% / 10°C	0.015	
Excitation			
Recommended	V	10	
Maximum	V	15	
Resistance			
Input	Ω	800 ± 50	
Output	Ω	700 ± 7	
Insulation	M Ω	> 2,000	
Compensated Temp Range	°C	-10 ~ +40	
Operating Temp Range	°C	-20 ~ +80	
Physical Weight	kg	12.5	18.0

LOAD CELL



STANDARD CABLE LENGTH

10M

CABLE	COLOR CODE
EXC +	(RED)
EXC -	(WHITE)
SIG +	(GREEN)
SIG -	(BLUE, BLACK)
SHEILD	(YELLOW)