

# SS Beam Load Cell 50kgf~10tf

## SS 300

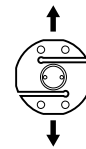


### Feature

- Compact Design
- Tension Application
- Protection Class IP66
- Nickel Plated Steel
- Braided Shield 4-Wire Round Cable

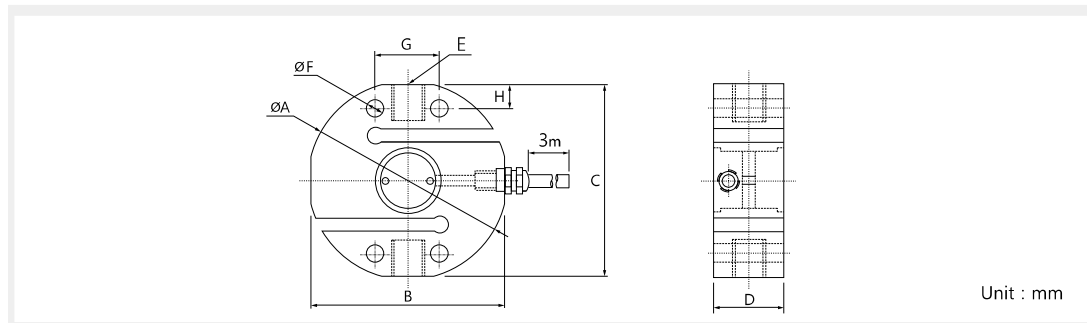
### Option

- Stainless Steel – LS300 (MOQ Base)
- Aluminium 2, 5, 10, 20kg (MOQ Base)



Rated Capacity (R.C)	kgf / tf	50, 100, 150, 200, 300, 500kgf, 1, 2, 3, 5, 10tf
Rated Output (R.O)	mV/V	2.0 ± 0.005
Zero Balance	mV/V	0 ± 0.02
Combined Error	%	0.03
Repeatability	%	0.01
Creep (30min)	%	0.03
Temperature Effect on		
Zero Value	% / 10°C	0.03
Output Value	% / 10°C	0.02
Excitation		
Recommended	V	10
Maximum	V	15
Resistance		
Input	Ω	400 ± 30
Output	Ω	350 ± 3.5
Insulation	M Ω	> 2,000
Compensated Temp Range	°C	-10 ~ +40
Operating Temp Range	°C	-30 ~ +80

Model	Capacity	ØA	B	C	D	E	ØF	G	H	Weight
SS300 - 50/100kgf	50/100kgf	80	74	76	19	M12xP1.75	-	-	-	1.0kg
SS300 - 150kgf	150kgf				26					
SS300 - 200kgf	200kgf									
SS300 - 300kgf	300kgf				30	M20xP1.5				
SS300 - 500kgf	500kgf									
SS300 - 1tf	1tf									
SS300 - 2tf	2tf	115	90	110	36	M24xP2.0	13	42	18	1.8kg
SS300 - 3tf	3tf	125	123	120	50	M30xP2.0	21	64	29	2.7kg
SS300 - 5tf	5tf	175	172	168						7.5kg
SS300 - 10tf	10tf									



STANDARD CABLE LENGTH	
3M	
CABLE COLOR CODE	
EXC +	(RED)
EXC -	(WHITE)
SIG +	(GREEN)
SIG -	(BLUE, BLACK)
SHLD	(YELLOW)

LOAD CELL